

Q-Gun™ Series with OXO™ style small handle

150 Amp MIG Guns

Issued Jan. 2013 • Index No. SPEC Q150X-1.3

150 amp Q-Gun™ MIG Gun
shown with OXO™ style small curved
handle, medium 45° rotating neck.



Lightweight, comfortable and easy-to-use. Our 150 amp Q-Gun MIG Gun is a perfect fit for low amperage industrial applications.

Stay-Tite™ Technology

Long-lasting power cable compression fittings and necks with large tapered gun connections combine to form the foundation of Bernard Stay-Tite™ Technology. This technology ensures optimal conductivity to increase weld consistency and lessen heat output while improving product durability.

All Guns are Not Created Equal.

A MIG gun should be durable, easy to use and customized to your specific application. Our MIG guns put you in control: you choose the options you need and we'll build a gun to last.

Centerfire™ Contact Tips, Nozzles and Diffusers are easy-to-use and high performing - they provide better arc starts, less spatter and more consistent welds - and also last up to three times longer than competitive brands.

Necks available in fixed, rotatable and multiple length options for optimal weld accessibility and improved operator comfort. Rotatable necks changeover without tools.

Jump Liner allows quick neck change and replacement of only most commonly worn or clogged liner area, which reduces the amount of time a gun is offline and minimizes inventory.

OXO™ style handle option allows configuration of Bernard Q-Gun MIG Gun with feel similar to former OXO APX MIG Gun.

Power cable equipped with Stay-Tite™ Technology and internal gas hose that resists kinking, improves gas flow and feedability.

Back end with durable rigid strain relief and easily interchangeable direct plugs and trigger leads connect to wire feeders and machines from major manufacturers and allow simple maintenance.

Q150 Amperage Ratings

Duty Cycle				Description
100% NEMA	100%CE	60% CE	35%CE	
160	150	180	225	CO ₂ Gas
n/a	140	150	180	80%AR20%CO ₂

Made with
Pride and without
Compromise in the **USA**

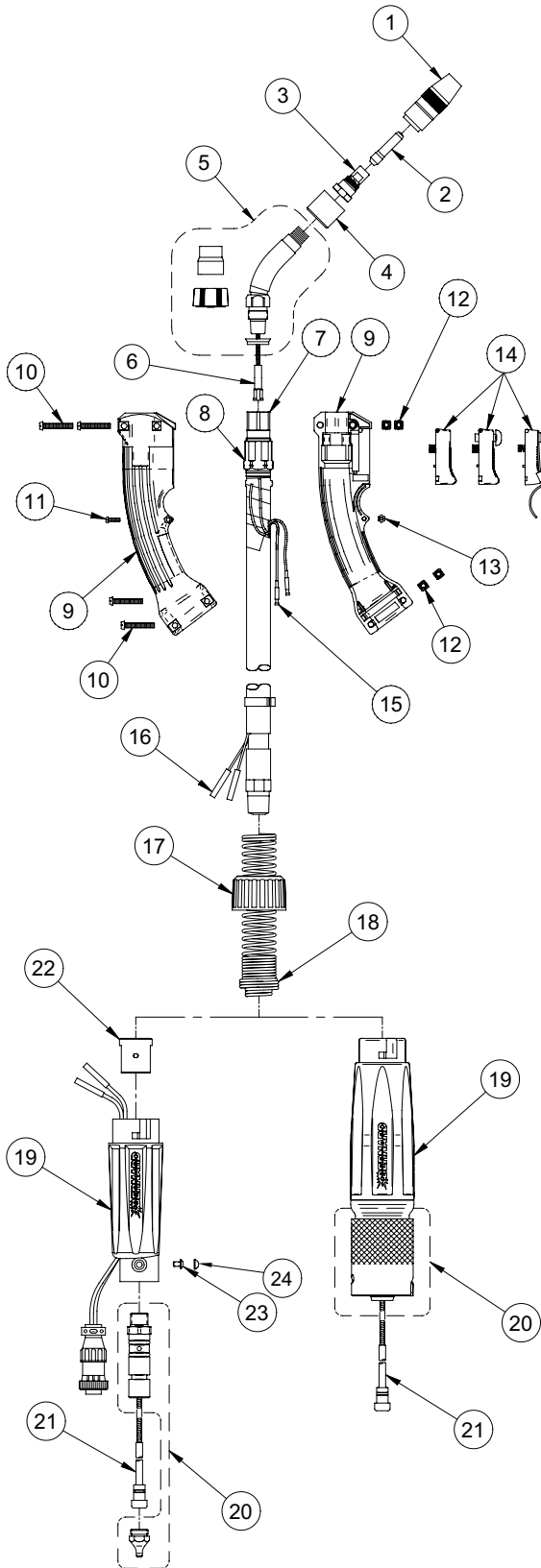
Bernard

An Illinois Tool Works Company
449 West Corning Road, Box 667
Beecher, Illinois 60401 USA

Phone: 800-946-2281 (US Only) 708-946-2281 (Outside US)
Fax: 708-946-6726
For more information, visit us at BernardWelds.com



Replacement Parts List



ITEM #	PART #	DESCRIPTION
1	See Centerfire Spec Sheet	Nozzle Assy
2	See Centerfire Spec Sheet	Contact Tip
3	See Centerfire Spec Sheet	Gas Diffuser
4	See Centerfire Spec Sheet	Cap
5	See Neck Spec Sheet	Neck
6	See Jump Liner Spec Sheet	Jump Liner
7	4E213B	Stay-Tite™ End Fitting
8	4305	Stay-Tite™ Cone Nut
9	1880219	*Handle Kit, Standard and Locking Trigger
10	203296-005	Handle Screw (4 Req'd)
11	2280044	Handle Screw, Small
12	177272	Handle Nut (4 Req'd)
13	2030029	Handle Nut, Small
14	177488	Trigger, Standard
	MS2110	Trigger, Locking
	177379	Trigger, Standard w/Extension
15	177271	Trigger Pin (2 Req'd)
16	4932	Butt Connector (2 Req'd)
17	2520007	Cap, Rigid Strain Relief
18	2520048	Spring, Strain Relief
19		Rigid Strain Relief
	2520073	Strain Relief with Installed Gas Pin (Bernard Direct Plug)
	2520047	Strain Relief (Euro Direct Plug)
	2520047E	Strain Relief with Trigger Cable Adapter (OXO™, Tweco® 4 w/Twist Lock)
	2520047H	Strain Relief with Trigger Cable Adapter (L-Tec®, Hobart® Direct Plug)
	2520047L	Strain Relief with Trigger Cable Adapter (Lincoln® Direct Plug)
	2520047T	Strain Relief with Trigger Cable Adapter (National®, Tweco® Direct Plug)
	2520047M	Strain Relief with Trigger Cable Adapter (All Other Direct Plugs)
20	See Direct Plug Spec Sheet	Direct Plug Components
21	See Liner Spec Sheet	Liner
22	1010027	Adapter Block (Not Req'd on Bernard or Euro® Direct Plug)
23	2280056	Screw, Strain Relief (Not Req'd on Bernard Direct Plug)
24	1620003	Screw Cover, Strain Relief (1 Req'd)

*1880219 Handle Kit includes halves, screws and nuts.

Bernard™ is a trademark of Illinois Tool Works Inc. Other brands mentioned are for reference only and are the registered trademarks of their respective companies, and are not affiliated with Illinois Tool Works Inc. Hobart® is a trademark of Hobart Brothers Co., a division of Illinois Tool Works Inc.