

FILTAIR™ Fume Extraction Series

Issued Dec. 2014 • SPEC FFE-1.3

300, 400 Amp MIG Guns

400 Amp Bernard™ FILTAIR™
Fume Extraction Gun



Bernard FILTAIR Fume Extraction Gun extracts fumes right at the source while providing a cleaner working environment.

Amperage Ratings			
MIG Gun	Duty Cycle		Description
	100% CE	60% CE	
FA300	310	320	CO ₂ Gas
	260	280	80%AR20%CO ₂
FA400	400	420	CO ₂ Gas
	330	350	80%AR20%CO ₂

All Guns are Not Created Equal.

A MIG gun should be durable, easy to use and customized to your specific application. Our MIG guns put you in control: you choose the options you need and we'll build a gun to last.

Smaller, lighter weight handle than previous Clean Air™ Gun improves maneuverability and operator comfort.

Vacuum hose swivel on rear of handle improves flexibility and reduces wrist fatigue.

Chrome-plated front end to resist spatter adhesion.

Adjustable extraction control regulator allows balance of suction with shielding gas flow to protect against weld porosity.

Ideally suited for solid wire welding applications.

Compatible with Centerfire™ Series and Quik Tip™ Series Consumables for better arc starts, less spatter, more consistent welds and longer tip life.

Bernard FILTAIR Fume Extraction Gun Part Number

Amp	Cable Length	Handle & Trigger	Neck	Contact Tip	Wire Size	Direct Plug	
FA30	08 8' (2.44 m)	T Standard Trigger	O Fixed, Short, 50°	8 Centerfire™ Series	A .023" (0.6 mm)	B Bernard™	
FA40	10 10' (3.05 m)				5 Quik Tip™ Series	B .030" (0.8 mm)	E Euro®
	12 12' (3.66 m)				C .035" (0.9 mm)	H Hobart®	
	15 15' (4.57 m)				D .039" (1.0 mm)	L Lincoln®	
	20 20' (6.16 m)				E .045" (1.2 mm)	M Miller®	
	25 25' (7.63 m)				H .052" (1.4 mm)	N National®	
					I 1/16" (1.6 mm)	O OXO™	
	K 5/64" (2.0 mm)	S Tweco® 4 (Lincoln lead)					
	Aluminum Wire Size	T Tweco® 4 (std. lead)					
	Q .035" (0.9 mm)	U Tweco® 4 (two prong twist-lock lead)					
	R 3/64" (1.19 mm)	W Tweco® 5 (std. lead)					
	S 1/16" (1.6 mm)						

Bernard

A Division of Miller Electric Mfg. Co.
449 West Corning Road, Box 667
Beecher, Illinois 60401 USA

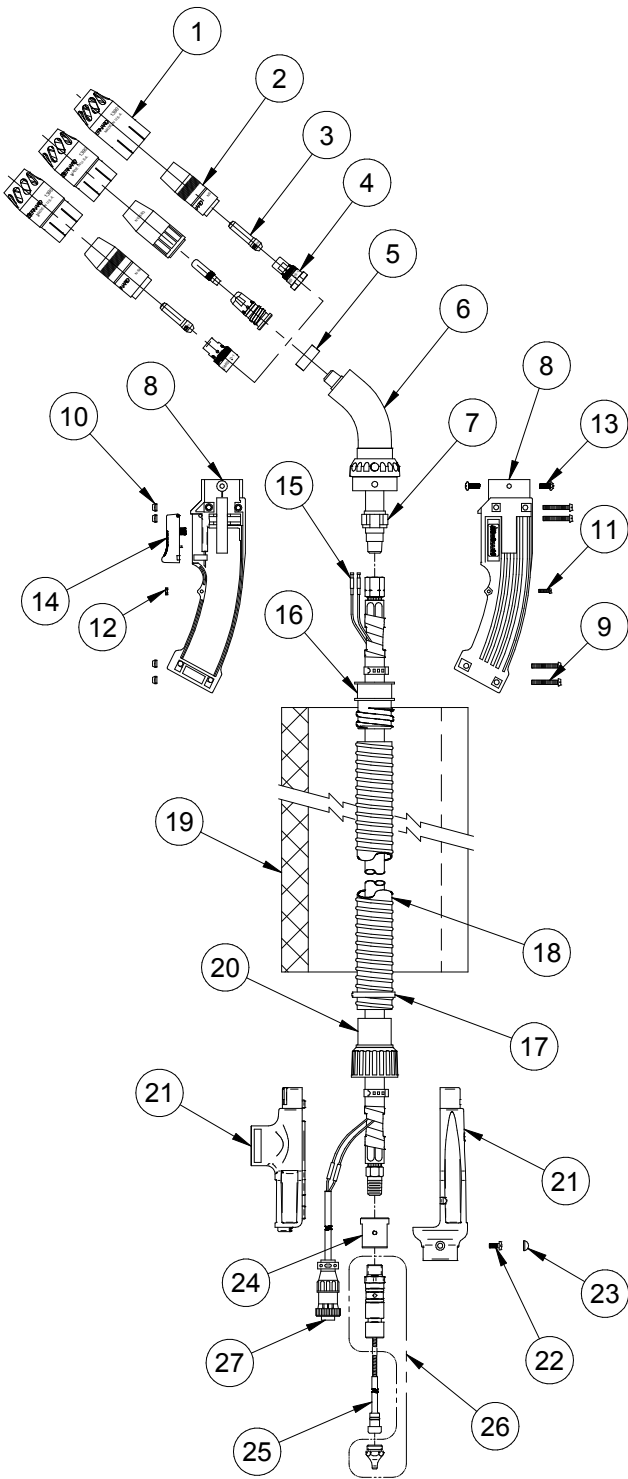
Phone: 1-855-MIGWELD (644-9353) (US & Canada)
1-519-737-3030 (International)

Fax: 708-946-6726

For more information, visit us at BernardWelds.com



Replacement Parts List



ITEM #	FA300	FA400	DESCRIPTION
1	1390128		Vacuum Chamber, Centerfire™ "NS" Series
		1390130	Vacuum Chamber, Quik Tip™ Series
		1390129	Vacuum Chamber, Centerfire "N" Series
2	NS-5818C		Nozzle Assy, Centerfire "NS" Series
		N1C58Q	Nozzle Assy, Quik Tip Series
		N-5818C	Nozzle Assy, Centerfire "N" Series
3	<i>See Consumable Spec Sheet</i>		Contact Tip
4	DS-1	D-1	Centerfire Gas Diffuser
		D118Q	Quik Tip Gas Diffuser
5	2460035		Spacer, Vacuum Tube
6	2390014		Vacuum Tube Assy
7	1040080		Neck
8	1880257		Handle Kit (Includes: (4) #9, (4) #10, (1) #11, (1) #12)
9	203296-005		Screw, Handle (4 Req'd)
10	177272		Nut, Handle (4 Req'd)
11	2280044		Screw, Handle (1 Req'd)
12	2030029		Nut, Handle (1 Req'd)
13	2280063		Screw, Vacuum Tube (2 Req'd)
14	177488		Trigger
15	177271		Trigger Pin, (2 Req'd)
16	2810008	2810009	Swivel, Handle
17	407709-013	1520011	Clamp, Vacuum Hose (1 Req'd)
18	1800048	1800011	Vacuum Hose (Order 1' less than gun length: example 9' for 10' long gun)
19	1860018	1860008	Cable Jacket
20	2810007	<i>Not Required</i>	Strain Relief Cap
21	2520077		Strain Relief, (Miller®, OXO™, Hobart®, Tweco®, Lincoln® Direct Plugs)
	2520076		Strain Relief, (Bernard™ Direct Plug)
	2520080		Strain Relief, (Euro® Direct Plug)
22	2280056		Screw, Strain Relief
23	1620003		Screw Cover, (Not Req'd on Bernard Direct Plugs)
24	1010027		Adapter Block, (Not Req'd on Bernard or Euro Direct Plugs)
25	<i>See Universal Liner Spec Sheet</i>		Liner
26	<i>See Direct Plug Spec Sheet</i>		Direct Plug Components
27	GN2021		Electrical Plug, Non - D/S (Not Req'd on Bernard or Euro Direct Plugs)
NS	1880245		Vacuum Adapter Kit (Includes: (1) 2-1/8" to 1-1/2" threaded hose fitting, (1) hose clamp). Note: Use to connect gun to Miller FILTAIR™ 400 or other extraction units with similar threaded hose ID.

CALIFORNIA PROPOSITION 65 WARNING

Welding or cutting equipment produces fumes or gases which contain chemicals known to the State of California to cause birth defects and in some cases, cancer. (California Health and Safety Code Section 25249.5 et seq.)

This product contains chemicals, including lead, known to the state of California to cause cancer, and birth defects or other reproductive harm. Wash hands after use.

Made with
Pride and without
Compromise in the **USA**

Bernard™ is a trademark of Illinois Tool Works Inc. Other brands mentioned are for reference only and are the registered trademarks of their respective companies, and are not affiliated with Illinois Tool Works Inc. Miller® and FILTAIR™ are trademarks of Miller Electric Mfg. Co., a division of Illinois Tool Works Inc.

