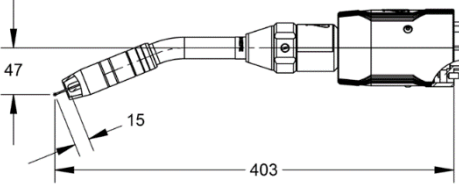
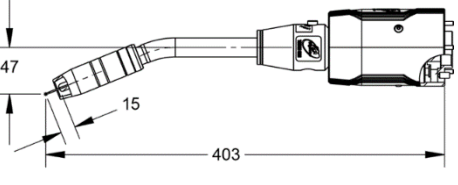
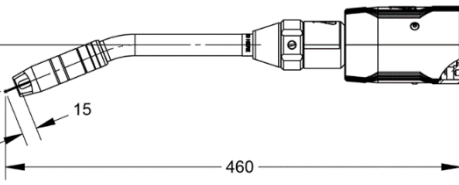
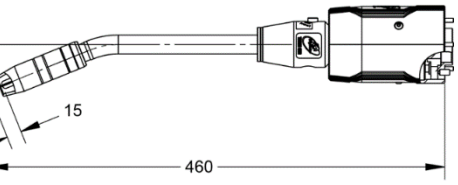
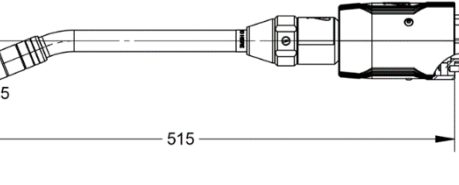
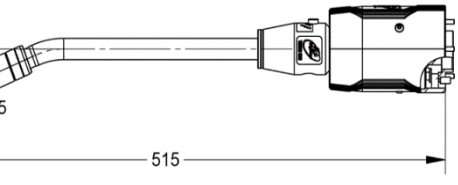


TOUGH GUN® TA3 Robotic Air-Cooled MIG Gun Cross Reference Configurations

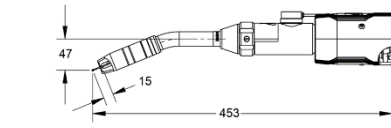
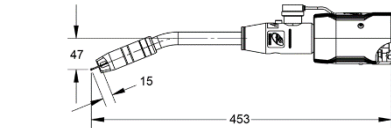
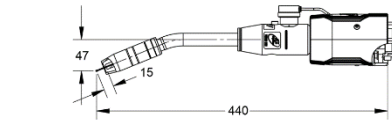
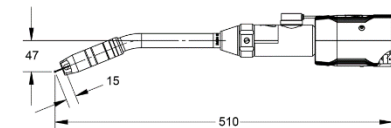
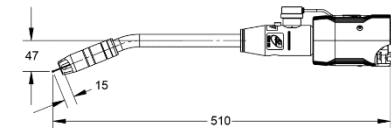
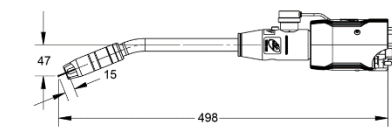
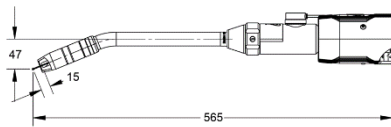
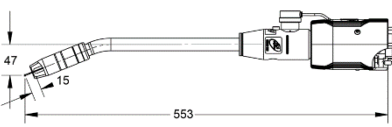


- [22 Degree Necks – Clutch](#)
- [22 Degree Necks – Clutch with Wire Brake](#)
- [45 Degree Necks – Clutch](#)
- [45 Degree Necks – Clutch with Wire Brake](#)
- [22 Degree Necks – Solid Mount](#)
- [22 Degree Necks – Solid Mount with Wire Brake](#)
- [45 Degree Necks – Solid Mount](#)
- [45 Degree Necks – Solid Mount with Wire Brake](#)

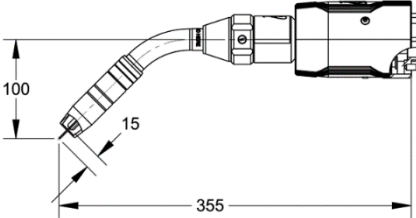
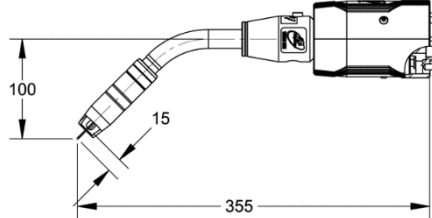
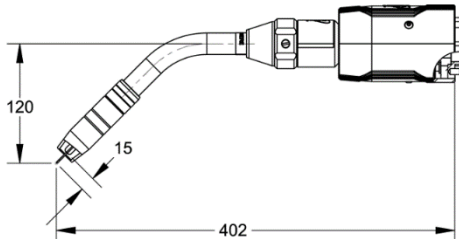
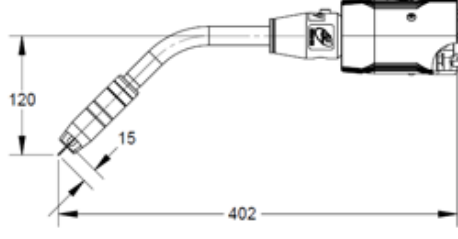
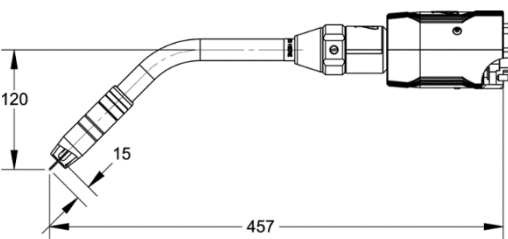
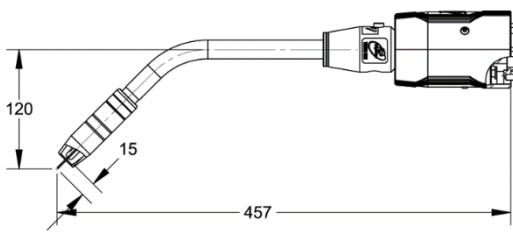
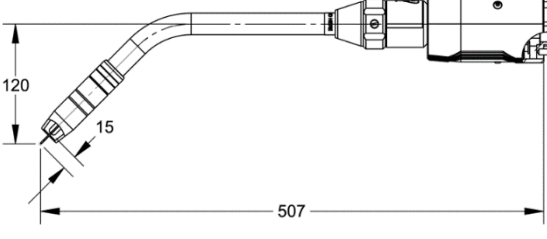
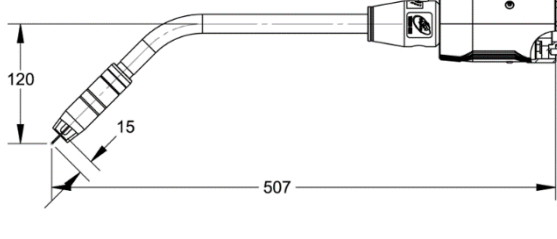
22 Degree Necks – Clutch

TOUGH GUN® ThruArm® G2 Series	TOUGH GUN® TA3 MIG Gun
<p data-bbox="467 632 537 653">59G22</p> 	<p data-bbox="1068 632 1154 653">405-22QC</p> 
<p data-bbox="467 919 537 940">59G22L</p> 	<p data-bbox="1068 919 1154 940">405-22QCL</p> 
<p data-bbox="467 1207 537 1228">59G22L1</p> 	<p data-bbox="1068 1207 1154 1228">405-22QCL1</p> 

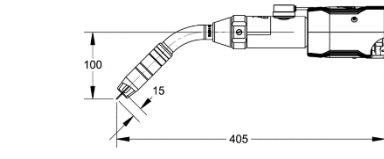
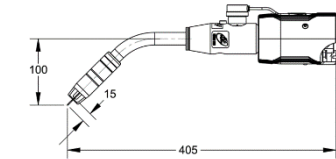
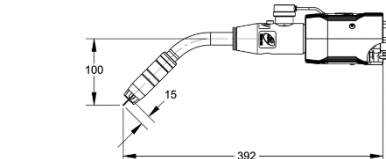
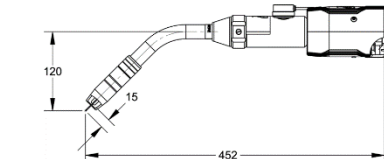
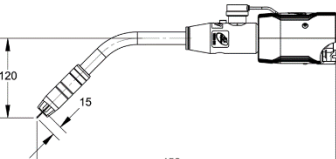
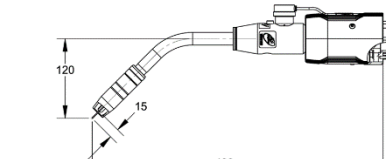
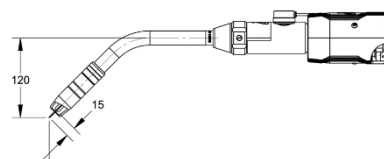
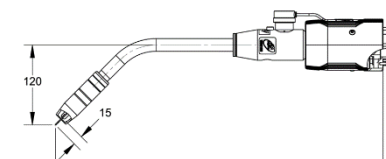
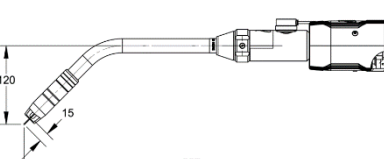
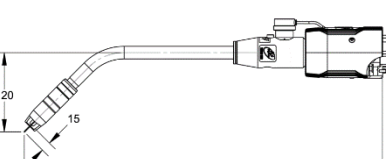
22 Degree Necks – Clutch with Wire Brake

TOUGH GUN ThruArm G2 Series	Direct Replacement	TOUGH GUN TA3 MIG Gun
<p style="text-align: center;">59G22</p> 	<p style="text-align: center;">405-WB22</p> 	<p style="text-align: center;">405-22QC</p> 
<p style="text-align: center;">59G22L</p> 	<p style="text-align: center;">405-WB22L</p> 	<p style="text-align: center;">405-22QCL</p> 
<p style="text-align: center;">59G22L1</p> 	<p>N/A</p>	<p style="text-align: center;">406-22QCL1</p> 

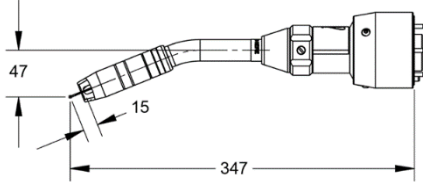
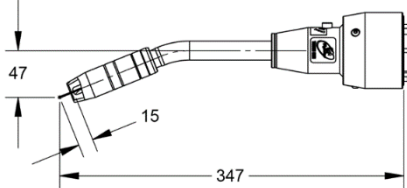
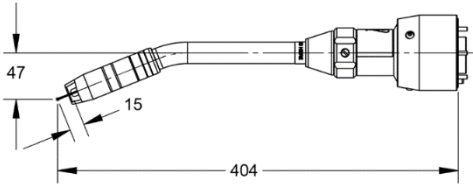
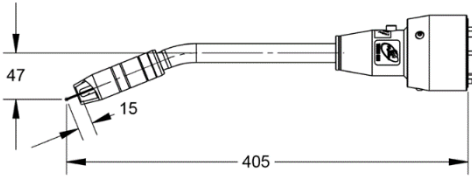
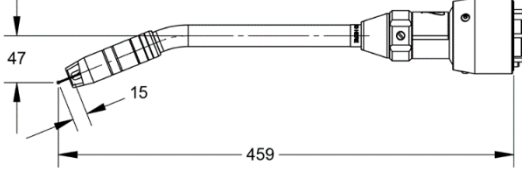
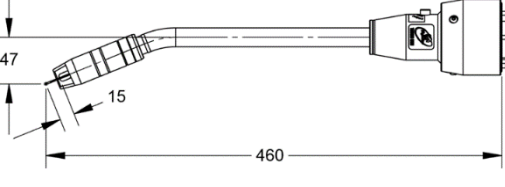
45 Degree Neck – Clutch

TOUGH GUN ThruArm G2 Series	TOUGH GUN TA3 MIG Gun
<p data-bbox="467 205 539 231">59G45</p>  <p data-bbox="386 357 414 388">100</p> <p data-bbox="462 388 495 420">15</p> <p data-bbox="576 472 617 493">355</p>	<p data-bbox="1068 205 1156 231">405-45QC</p>  <p data-bbox="987 357 1015 388">100</p> <p data-bbox="1063 388 1096 420">15</p> <p data-bbox="1193 472 1234 493">355</p>
<p data-bbox="467 525 539 550">59G45L</p>  <p data-bbox="344 682 381 714">120</p> <p data-bbox="462 724 495 756">15</p> <p data-bbox="560 808 600 829">402</p>	<p data-bbox="1068 525 1156 550">405-45QCL</p>  <p data-bbox="961 682 998 714">120</p> <p data-bbox="1063 724 1096 756">15</p> <p data-bbox="1177 808 1218 829">402</p>
<p data-bbox="467 861 539 886">59G45L1</p>  <p data-bbox="295 1018 332 1050">120</p> <p data-bbox="397 1071 430 1102">15</p> <p data-bbox="544 1144 584 1165">457</p>	<p data-bbox="1068 861 1156 886">405-45QCL1</p>  <p data-bbox="906 1018 943 1050">120</p> <p data-bbox="1015 1071 1047 1102">15</p> <p data-bbox="1144 1144 1185 1165">457</p>
<p data-bbox="467 1197 539 1222">59G45L2</p>  <p data-bbox="256 1375 293 1407">120</p> <p data-bbox="349 1407 381 1438">15</p> <p data-bbox="527 1491 568 1512">507</p>	<p data-bbox="1068 1197 1156 1222">405-45QCL2</p>  <p data-bbox="863 1375 901 1407">120</p> <p data-bbox="966 1407 998 1438">15</p> <p data-bbox="1112 1491 1153 1512">507</p>

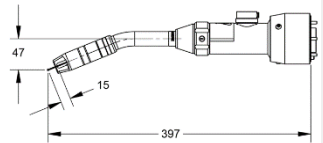
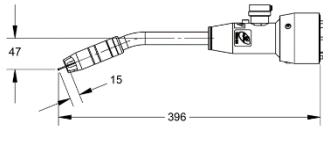
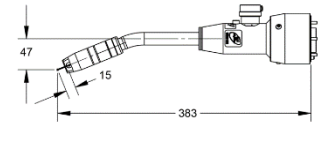
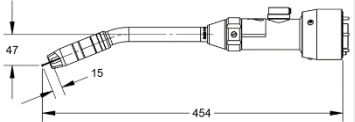
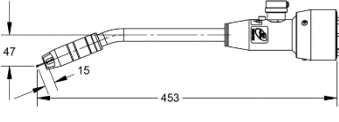
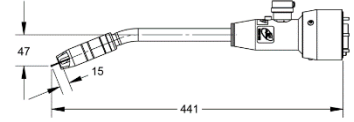
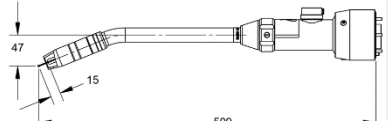

45 Degree Neck – Clutch with Wire Brake

TOUGH GUN ThruArm G2 Series	Direct Replacement	TOUGH GUN TA3 MIG Gun
<p style="text-align: center;">59G45</p> 	<p style="text-align: center;">405-WB45</p> 	<p style="text-align: center;">405-45QC</p> 
<p style="text-align: center;">59G45L</p> 	<p style="text-align: center;">405-WB45L</p> 	<p style="text-align: center;">405-45QCL</p> 
<p style="text-align: center;">59G45L1</p> 	<p style="text-align: center;">N/A</p>	<p style="text-align: center;">405-45QCL1</p> 
<p style="text-align: center;">59G45L2</p> 	<p style="text-align: center;">N/A</p>	<p style="text-align: center;">405-45QCL2</p> 

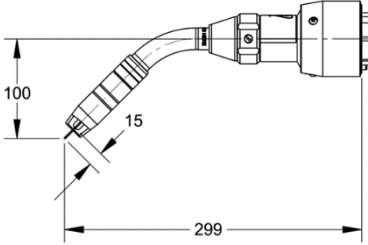
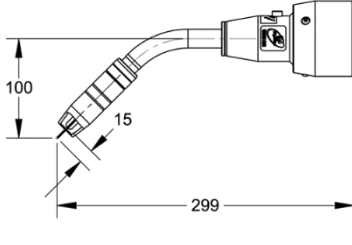
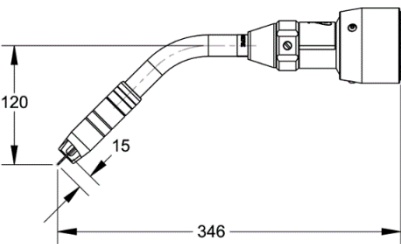
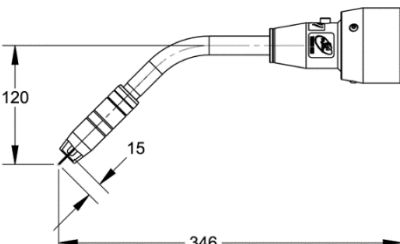
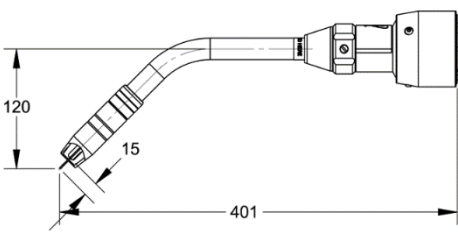
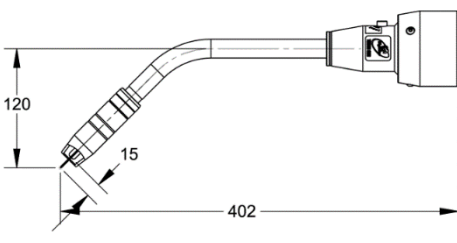
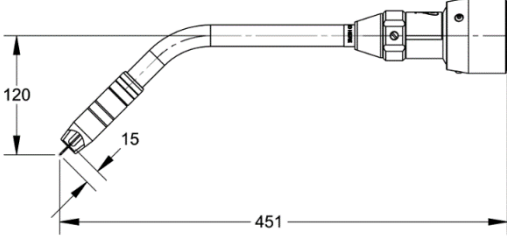
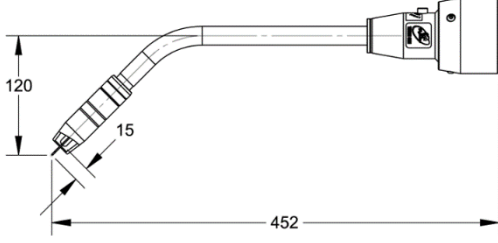
22 Degree Neck – Solid Mount

TOUGH GUN ThruArm G2 Series	TOUGH GUN TA3 MIG Gun
<p style="text-align: center;">59G22</p> 	<p style="text-align: center;">405-22QC</p> 
<p style="text-align: center;">59G22L</p> 	<p style="text-align: center;">405-22QCL</p> 
<p style="text-align: center;">59G22L1</p> 	<p style="text-align: center;">405-22QCL1</p> 

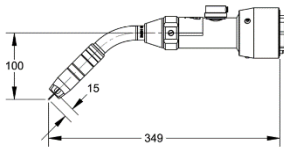
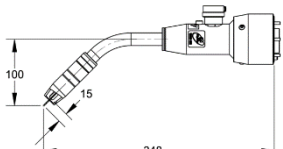
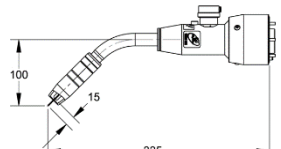
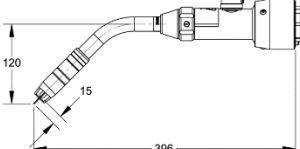
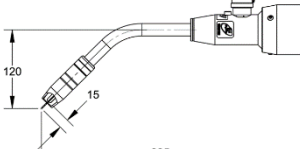
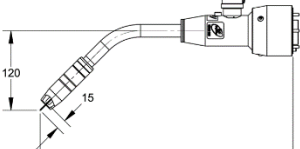
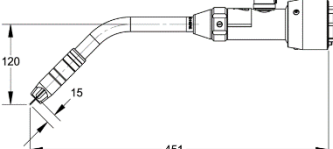
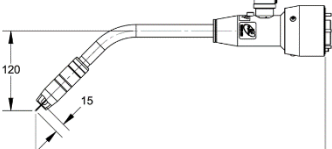
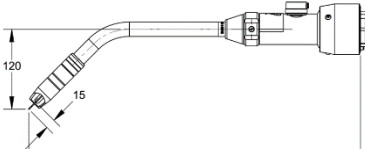
22 Degree Neck – Solid Mount with Wire Brake

TOUGH GUN ThruArm G2 Series	Direct Replacement	TOUGH GUN TA3 MIG Gun
<p style="text-align: center;">59G22</p> 	<p style="text-align: center;">405-WB22</p> 	<p style="text-align: center;">405-22QC</p> 
<p style="text-align: center;">59G22L</p> 	<p style="text-align: center;">405-WB22L</p> 	<p style="text-align: center;">405-22QCL</p> 
<p style="text-align: center;">59G22L1</p> 	<p style="text-align: center;">N/A</p>	<p style="text-align: center;">405-22QCL1</p> 

45 Degree Neck – Solid Mount

TOUGH GUN ThruArm G2 Series	TOUGH GUN TA3 MIG Gun
<p data-bbox="467 205 537 231">59G45</p> 	<p data-bbox="1068 205 1154 231">405-45QC</p> 
<p data-bbox="467 546 537 571">59G45L</p> 	<p data-bbox="1068 546 1154 571">405-45QCL</p> 
<p data-bbox="467 886 537 911">59G45L1</p> 	<p data-bbox="1068 886 1154 911">405-45QCL1</p> 
<p data-bbox="467 1226 537 1251">59G45L2</p> 	<p data-bbox="1068 1226 1154 1251">405-45QCL2</p> 

45 Degree Neck – Solid Mount with Wire Brake

TOUGH GUN ThruArm G2 Series	Direct Replacement	TOUGH GUN TA3 MIG Gun
<p style="text-align: center;">59G45</p> 	<p style="text-align: center;">405-WB45</p> 	<p style="text-align: center;">405-45QC</p> 
<p style="text-align: center;">59G45L</p> 	<p style="text-align: center;">405-WB45L</p> 	<p style="text-align: center;">405-45QCL</p> 
<p style="text-align: center;">59G45L1</p> 	<p style="text-align: center;">N/A</p>	<p style="text-align: center;">405-45QCL1</p> 
<p style="text-align: center;">59G45L2</p> 	<p style="text-align: center;">N/A</p>	<p style="text-align: center;">405-45QCL2</p> 