



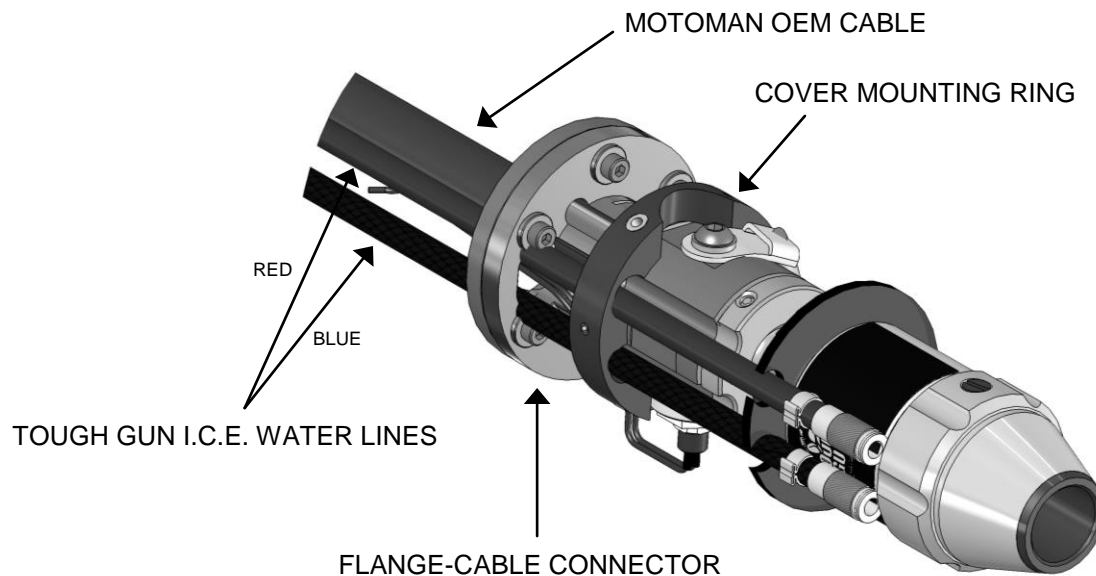
TECHNICAL GUIDE ADDENDUM

TOUGH GUN™ ThruArm™ G2 Series TOUGH GUN I.C.E.™ Neck Installation for Motoman® Robots

TOUGH GUN I.C.E. INSTALLATION

NOTE: Tregaskiss LSR Unicable not available for TOUGH GUN I.C.E Gun assemblies. Motoman OEM unicables **MUST** be used for TOUGH GUN I.C.E. installations.

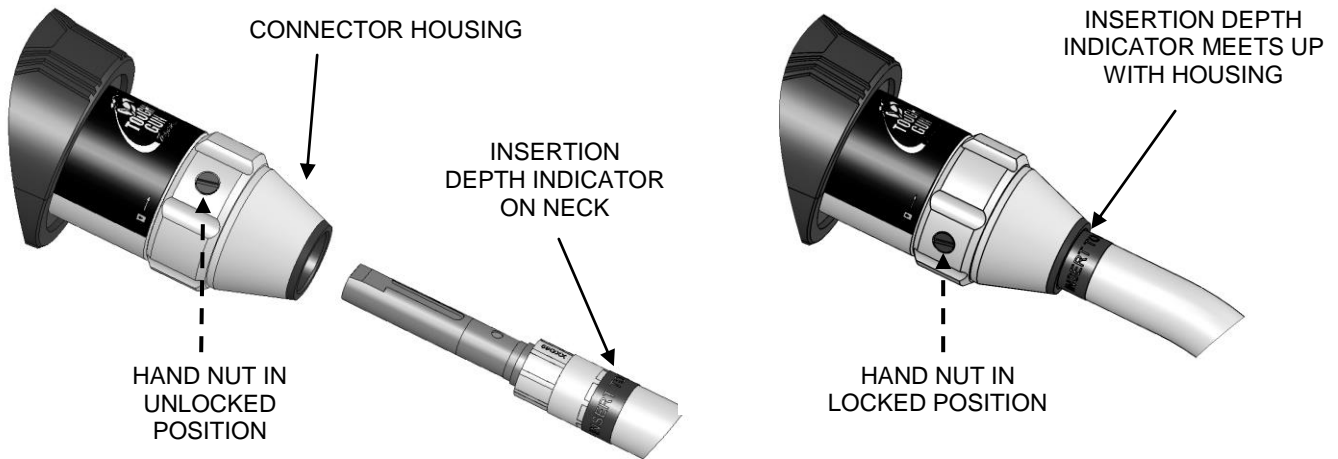
- Pull the red and blue water lines through the Flange-Cable Connector and Cover Mounting Ring as shown.



INSTALLING NECK / NECK REPLACEMENT

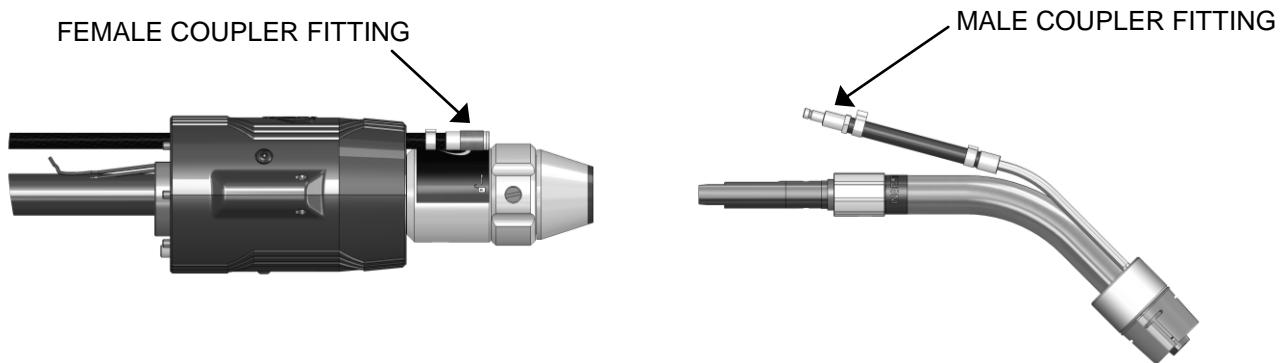
IMPORTANT! Remove consumables (i.e. retaining head, nozzle and contact tip) before installing neck. Failure to do so will result in improper installation.

- Twist the hand nut clockwise to UNLOCK. **IMPORTANT:** To prevent damage to the neck, ensure that the hand nut is always in the UNLOCK position when inserting a neck.
- Insert the neck into the connector housing. **IMPORTANT:** The neck is fully inserted only when the neck bottoms out and the insertion depth guide (INSERT TO HERE) on the neck meets up with the connector housing.
- Release the hand nut allowing it to return to the LOCKED position. **IMPORTANT:** Do not release the hand nut unless the neck has been fully inserted or damage to the neck may result.



TOUGH GUN I.C.E. NECK INSTALLATION

- Remove and install neck (as per instructions above).
- Connect neck male coupler fitting to water line female coupler fitting.



FOR ADDITIONAL TECHNICAL DATA:

For additional Technical Data, including installation, maintenance, neck dimensions, options, accessories and troubleshooting, please visit the Technical Support section of the Tregaskiss website at www.tregaskiss.com.



Canada & U.S.A. Phone: 1-877-737-3111
Fax: 1-877-737-2111

International Phone: +1-519-737-3000
Fax: +1-519-737-2111

www.tregaskiss.com

TREGASKISS is an industry leader in the development and manufacture of semi-automatic and robotic MIG welding guns and robotic peripherals.

TREGASKISS™, TOUGH GUN™, TOUGH LOCK™, and other names are trademarks of Tregaskiss, a division of Illinois Tool Works Inc.

M085 02/12