



TECHNICAL GUIDE

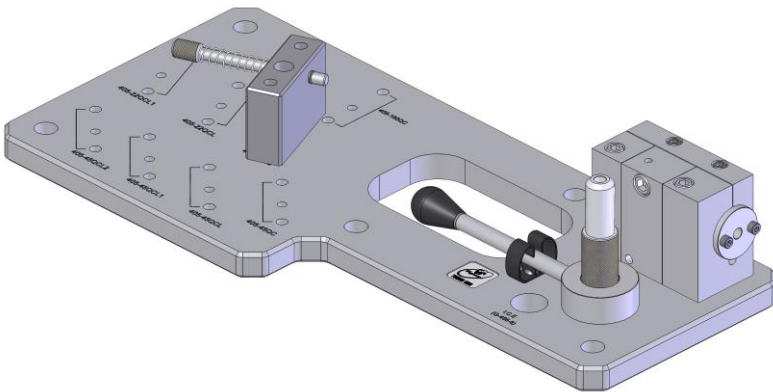
TOUGH GUN™ Robotic Neck Checking Fixtures

G-405CA

Quick-Change Air-Cooled

GS-101 Kit

Quick-Change Air-Cooled



*Certified ISO 9001:2008
Please read instructions prior to use
Save this manual for future reference.*

WARRANTY

Product is warranted to be free from defects in material and workmanship for the period specified below after the sale by an authorized Buyer. Should there be a defect please refer to our Return Merchandise Policy.

PRODUCT	WARRANTY PERIOD
TOUGH GUN™ Robotic MIG Guns and Components	180 days
TOUGH GUN Reamer	1 year
TOUGH GUN TT3 Reamer equipped with Lubricator	3 years
TOUGH GUN Robotic Peripherals (Clutch, Sprayer, Wire Cutter, Mounting Arms)	1 year
Low-Stress Robotic Unicables (LSR Unicables)	2 years

Tregaskiss reserves the right to repair, replace or refund the purchase price of non-conforming product. Product found not defective will be returned to the Buyer after notification by Customer Service.

Tregaskiss makes no other warranty of any kind, expressed or implied, including, but not limited to the warranties of merchantability or fitness for any purpose. Tregaskiss shall not be liable under any circumstances to Buyer, or to any person who shall purchase from Buyer, for damages of any kind, including, but not limited to any, direct, indirect incidental or consequential damages or loss of production or loss of profits resulting from any cause whatsoever, including, but not limited to, any delay, act, error or omission of Tregaskiss.

Genuine Tregaskiss™ parts must be used for safety and performance reasons or the warranty becomes invalid. Warranty shall not apply if accident, abuse, or misuse damages a product, or if a product is modified in any way except by authorized Tregaskiss personnel.

SAFETY

CALIFORNIA PROPOSITION 65 WARNING

This product contains chemicals, including lead, known to the State of California to cause cancer, and birth defects or other reproductive harm. *Wash hands after use.*

(California Health & Safety Code Section 25249.5 at seq.)



1.0 – USING THE NECK CHECKING FIXTURE

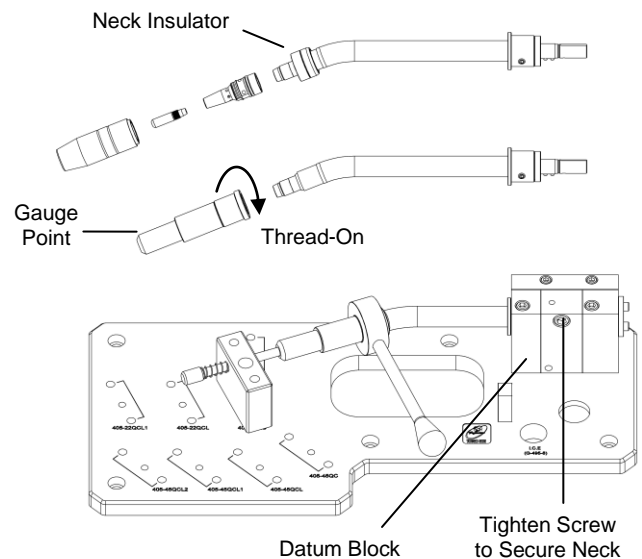
(Instructions for G-405CA; Other fixtures similar)

STEP #1

- Remove consumables; nozzle, retaining head and neck insulator (with the exception of TOUGH GUN I.C.E.™ components).
- Install the gauge point into the neck.

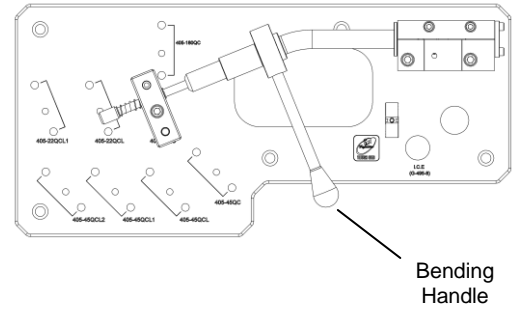
STEP #2

- Slide neck completely into datum block, aligning keys on neck to keyway in datum block.
- Turn the neck completely clockwise against shoulder.
- To secure the neck, use a 5/16" Allen key to tighten the socket head cap screw (SHCS) on the front of the datum block.



STEP #3

- Push check pin towards gauge point.
- Check pin should insert into the mating hole on gauge point.
- Slip bending handle onto gauge point and bend until aligned with check pin.
- Remove neck from datum block and gauge point from neck.
- Reinstall consumables.

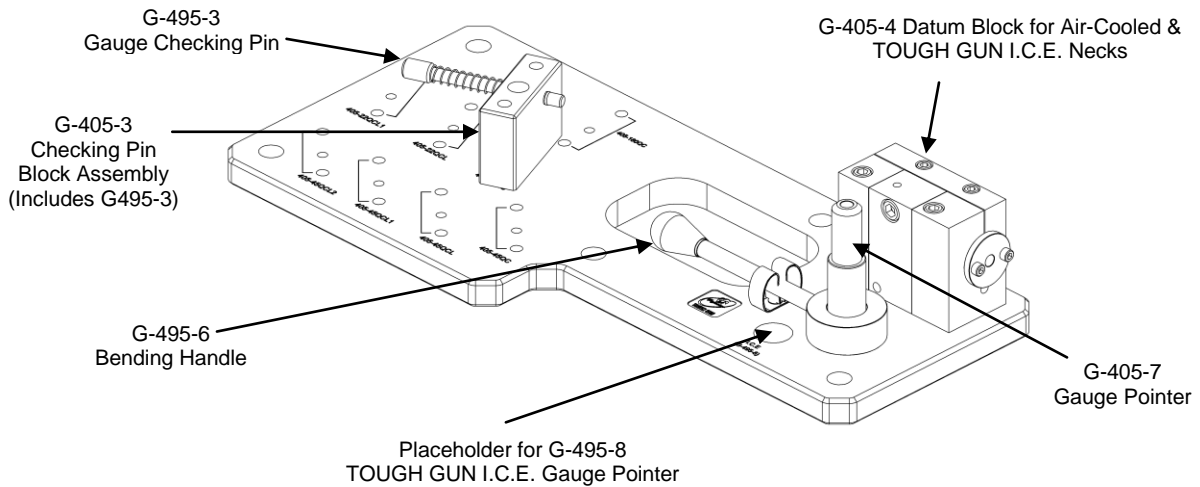


2.0 – CHECKING FIXTURE BY PRODUCT TYPE

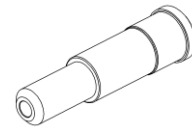
PRODUCT TYPE	CHECKING FIXTURE PART # — CA3 SERIES —	CHECKING FIXTURE PART # — G2 SERIES —
QUICK-CHANGE AIR-COOLED	G-405CA	G-59
TOUGH GUN I.C.E.™ SETUP	G-405CA AND G-495-8	G-59 AND G-495-8

3.0 – G-405CA SERIES

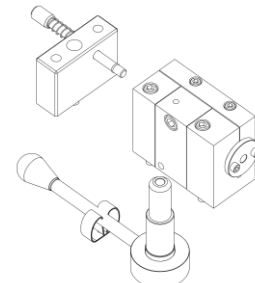
G-405CA – FOR QUICK CHANGE AIR-COOLED



G-495-8 – GAUGE POINTER FOR TOUGH GUN I.C.E.™ CHECKING FIXTURE



GS-101 – KIT FOR SPECIAL AIR-COOLED NECKS (INCLUDES ALL PARTS FROM G-405CA, MINUS BASE PLATE)



4.0 – CHECKING FIXTURES - PARTS LIST

COMPONENT	AIR-COOLED	TOUGH GUN I.C.E.
CHECKING FIXTURE	G-405CA	G-405CA AND G-495-8
DATUM BLOCK	G-405-4	G-405-4
GAUGE POINTER	G-495-7	G-495-8
NECK ALIGNMENT KIT FOR SPECIAL NECKS	GS-101	GS-101 AND G-495-8

COMMON PARTS TO ALL CHECKING FIXTURES

PART #	DESCRIPTION
G-405-3	CHECKING PIN BLOCK ASSEMBLY (INCLUDES THE G-495-3 CHECKING PIN) - FOR ALL GAUGES
G-495-3	CHECKING PIN - FOR ALL GAUGES
G-495-6	GAUGE BENDING HANDLE



For Technical Support:

Canada & U.S.A. Phone: 1-877-737-3111

International Phone: +1-519-737-3000

Email: techservices@tregaskiss.com

www.tregaskiss.com

Distributed by:

06/15 REV G

M042