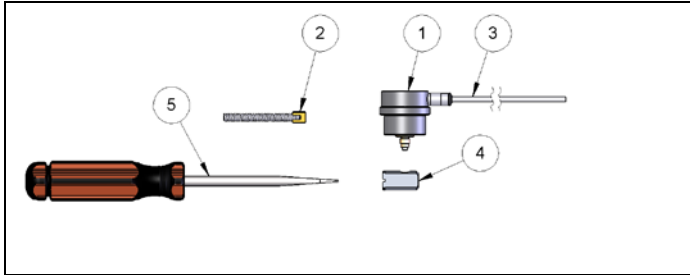


NOTICE: *This product is factory set for wire equal to or smaller than 0.045".* If you are using wire 0.052" and larger, please remove and replace the Wire Guide within the gooseneck housing and replace it with the larger size (part #598G2-116) that is supplied in this product box.

REMOVAL AND INSTALLATION INSTRUCTIONS

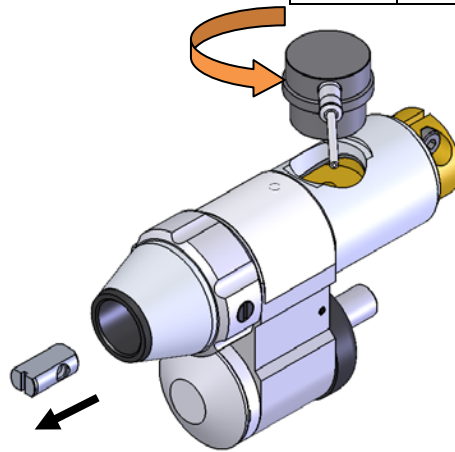


ITEM	PART #	DESCRIPTION
1	599	Pushing Unit
2	495-18-35	Jump Liner for $\leq 0.045''$
	495-18-116	Jump Liner for $\geq 0.052''$
3	499-9-15	Air Line 15'
4	598G2	Wire guide for $\leq 0.045''$
	598G2-116	Wire guide for $\geq 0.052''$
5	Not included	Flat Blade Screw Driver

STEP 1

Un-thread the pushing unit (1) and remove the wire guide (4).

NOTE: Photo of gun housing is not exactly as shown.

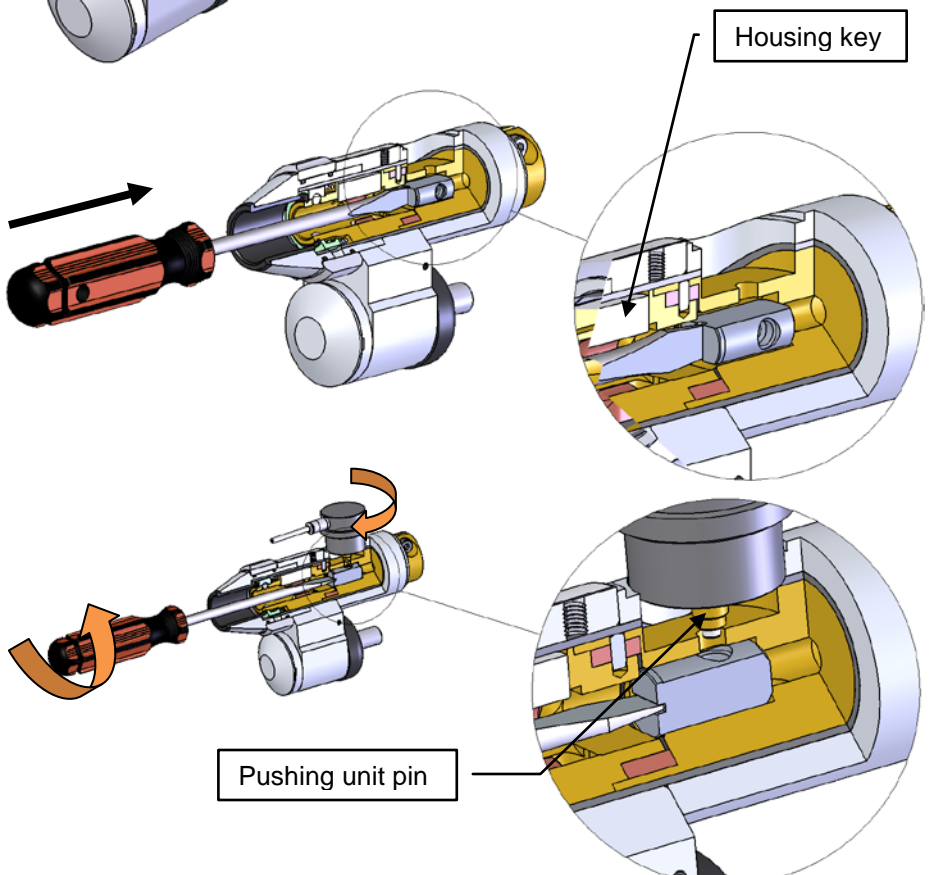


STEP 2

Using the Flat Screw Driver (5), insert the wire guide (4) (flats parallel with housing key) into position within the housing.

Rotate wire guide (4) to align hole with Pushing unit pin (1), thread-in the pushing unit(1).

NOTE: Photo of gun housing is not exactly as shown.



IMPORTANT: For the Wire Brake to work properly, make sure the pushing unit bottoms-out in the housing/connector