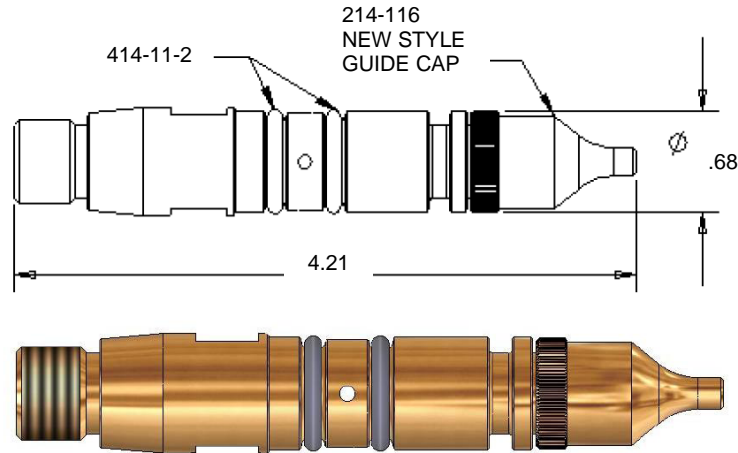


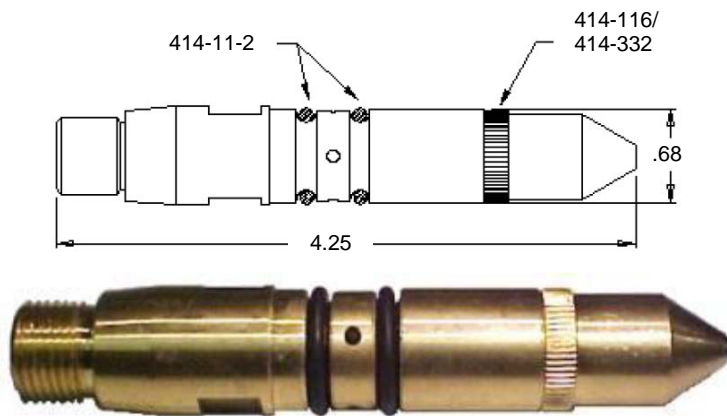
PART # 214-1 MILLER POWER PIN GUIDE CAPS

214-1 MILLER POWER PIN (NEW - CURRENT)



- 214-116 GUIDE CAP IS FOR .035" - 1/16" WIRE
- 214-332 GUIDE CAP IS FOR WIRE UP TO 3/32"
- 214-9 GUIDE CAP IS FOR TEFLON LINER

214-1 MILLER POWER PIN (OLD STYLE)



- 414-116 GUIDE CAP IS FOR .035" - 1/16" WIRE
- 414-332 GUIDE CAP IS FOR WIRE UP TO 3/32" WIRE
- 414-9 GUIDE CAP IS FOR TEFLON LINER