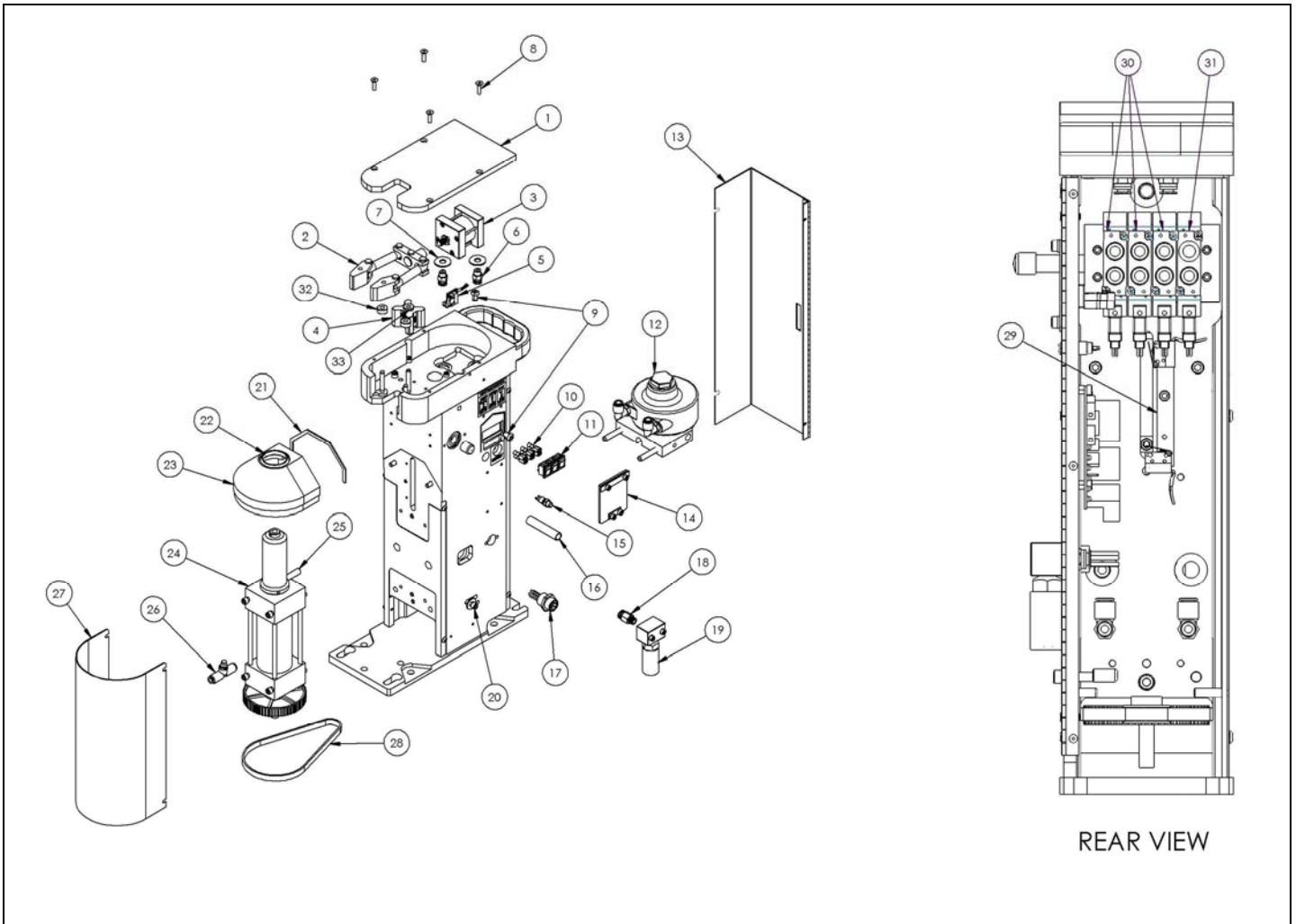


# TOUGH GUN® REAMER - EXPLODED VIEW & PARTS LIST



ITEM	PART #	DESCRIPTION	Common with Previous Model	ITEM	PART #	DESCRIPTION	Common with Previous Model
1	R-2110	CLAMP COVER	NEW	18	TR-2231	5/16" X 1/8" NPT QUICK CONNECT	Y
2	TR-2120	JAW ASSEMBLY	Y	19	TR-2530	MUFFER	Y
3	TR-2130	CLAMP CYLINDER	Y	20	TR-2632	TENSION LOCK WASHER	Y
4	V-BLOCK	SEE PAGES 10 & 11 FOR CHART	NEW	21	TR-2662	RUBBER GASKET	Y
5	TR-2321	CLAMP LIMIT SWITCH ASSEMBLY	Y	22	TR-2661	SPINDLE CAP SEAL	Y
6	TR-2232	AIR FITTING 1/4" SMC (2)	Y	23	TR-2660	SPINDLE CAP	Y
7	TR-2239	RING GASKET - .062" THK	Y	24	TT-2400	SPINDLE ASSEMBLY	Y
8	TR-2714	SHCS 10-24 X 3/4" LG. (4)	Y	25	TR-2411	SPINDLE SWITCH - ACTUATOR	Y
9	TR-2452	GROMMET (2)	Y	26	TR-2234	FLOW CONTROL	Y
10	412-5	FEMALE SPADE CONNECTOR	NEW	27	TT-2670	REAMER SPINDLE SHROUD	Y
11	411-12-6	ROCKER SWITCH	NEW	28	TR-2440	REAMER DRIVE BELT	Y
12	TR-2500	AIR MOTOR ASSEMBLY	Y	29	TT-2322	LIMIT SWITCH ASSEMBLY	Y
13	R-2680	REAR COVER ASSEMBLY	NEW	30	R-2241	VALVE PACK (3)	NEW
14	R-2601	REAMER SWITCH COVER ASSEMBLY	NEW	31	R-2246	VALVE PACK (1)	Y
15	TT-2330	RESET SWITCH ASSEMBLY	Y	32	TR-2127	FRONT JAW SPACER (2 Required)	Y
16	R-2245	1/8" NPT 3" LG. NIPPLE - GALVANIZED	NEW	33	TR-2128	REAR JAW SPACER (1 Required)	Y
17	TR-2340	INTERFACE RECEPTACLE	Y				