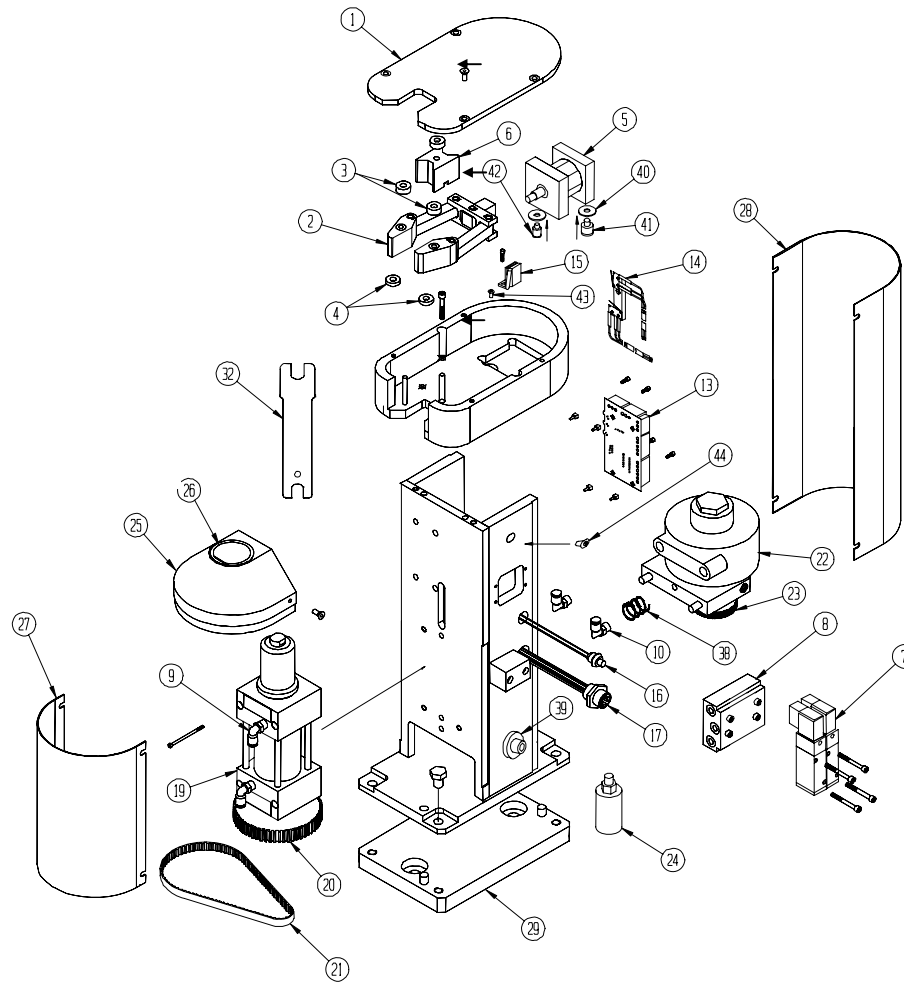


EXPLODED VIEW & PARTS LIST



ITEM	PART#	DESCRIPTION	ITEM	PART #	DESCRIPTION
1	TR-2110	CLAMP COVER	22	TR-2500	AIR MOTOR ASSEMBLY w/pulley
2	TR-2120	JAW ASSEMBLY	23	TR-2520	MOTOR PULLEY
3	TR-2127	UPPER JAW SPACER (2req'd)	24	TR-2530	MUFFLER
4	TR-2128	LOWER JAW SPACER (3req'd)	25	TR-2660	SPINDLE CAP
5	TR-2130	CLAMP CYLINDER	26	TR-2661	SPINDLE CAP SEAL
5a	TR-2130R	CLAMP CYLINDER SEAL KIT (not shown)	27	TT-2670	SPINDLE SHROUD
6	XXX	V-BLOCK (refer to chart on page 10-11)	28	TT-2680	MOTOR SHROUD
7	TR-2210	SOLENOID VALVE	29	TR-2690	ADAPTOR PLATE (OPTIONAL)
7A	TR-2210-2	VALVE SCREWS (M3X30mm SHS)	N/S	TR-2234	FLOW CONTROL
7B	TR-2215	GASKET (not shown)			SERIAL #TT-5338 & EARLIER -2 EACH REQ.
8	TR-2220	VALVE BASE (TR-2221 Vent not included)			SERIAL #TT-5339 & UP -1 REQUIRED
9	TR-2235	AIR FITTINGS-MALE ELBOW (Spindle unit)			
10	TR-2236	AIR FITTINGS-MALE ELBOW (Motor)			
11	TR-2250	AIR LINE 1/4", 4FT. LENGTH (not shown)	N/S	TT-2412	FIXED FLOW CONTROL
12	TR-2260	AIR LINE 5/16", 4FT. LENGTH (not shown)			SERIAL #TT-5339 & UP
13	TR-2310	P.C BOARD	31	RR-707-30	TCP LOCATOR PIN (optional - not shown)
13A	TR2310-S	STANDOFF SCREW KIT	32	TR-2910	CUTTER WRENCH
14	TT-2322	SPINDLE LIMIT SWITCH ASSEMBLY	33	RC-00	ALIGNMENT TOOL (not shown)
15	TR-2321	CLAMP SWITCH	34	RT-1000	TEST BOX (not shown)
16	TT-2330	RESET SWITCH (w/TT-2330-2 boot)	35	TT-2400RN	LIFT CYLINDER SEAL REPAIR KIT (not shown)
		REPLACES TR-2330	36	TT-2400R	LIFT CYLINDER SEAL REPAIR KIT (not shown)
	TR-2330-2	SWITCH BOOT			<For older generation blue cylinder>
17	TR-2340	INTERFACE RECEPTACLE	38	TR-2512	MOTOR TENSION SPRING
18	TR-2350	CONTROL CABLE - 20' supplied standard	39	TR-2632	WASHER
	TR-2350-30	CONTROL CABLE - 30' optional (not shown)	40	TR-2239	RING WASHER (2)
	TR-2350-50	CONTROL CABLE - 50' optional (not shown)	41	TR-2231	AIR FITTING 5/16" SMC
19	TT-2400	SPINDLE UNIT ASSY' w/pulley	42	TR-2232	AIR FITTING 1/4" SMC
			43	TR-2452	TOP MOUNT GROMMET
20	TR-2430	SPINDLE PULLEY	44	TR-2451	SIDE MOUNT GROMMET
21	TR-2440	DRIVE BELT	N/S	TR-2453	REAMER GROMMET & SEAL KIT
					(INCLUDES ITEMS - 15, 40, 43 & 44)